

Pitch: 2.54X2.54mm(0.1"X0.1")  
Box Header With Lock S.M.T Type

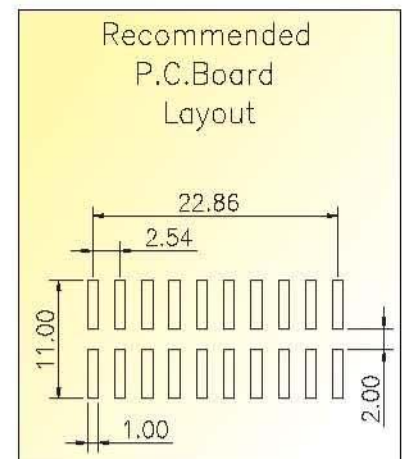
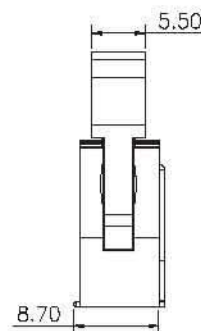
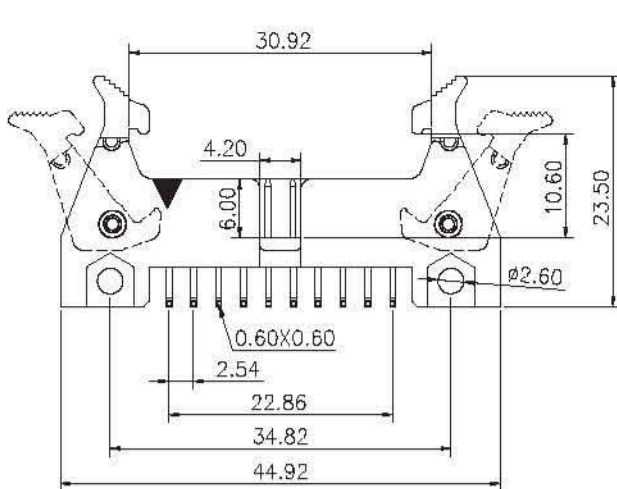
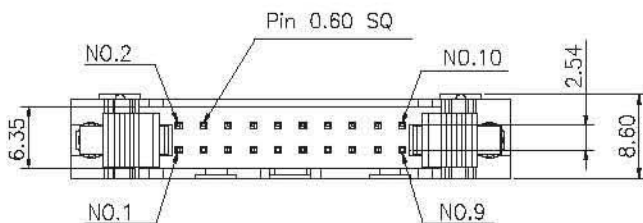
**MXCONN**  
MMHC220 Series

### Specifications

Current Rating: 3.0 Ampere  
Insulation Resistance: 1000MΩ Min  
Dielectric Withstanding: 600V AC  
Contact Resistance: 20mΩ Max  
Operating Temperature: -40°C to +105°C

### Materials

Contact Material: Phosphor Bronze  
Insulation Material: Polyester, UL 94V-0  
NYLON 6T



### Ordering Information

MMHC220 - XX	XX E002
No. of Pins per Row	Standard Plating
10	02 :Gold Flash
	Selective Plating
	01 :Tin
	05 :Gold Flash / Tin

\* Standard Packaging: Tray